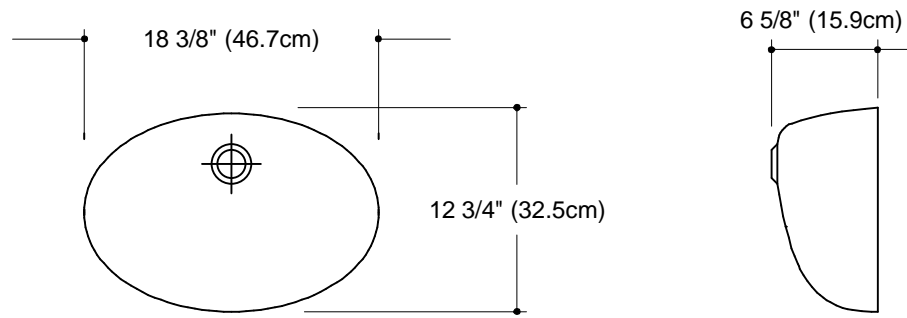


GRUBER SYSTEMS RESERVES THE RIGHT TO CHANGE THIS INFORMATION AT ANY TIME WITHOUT PRIOR NOTICE. ISSUED BY GRUBER SYSTEMS INC., 25636 AVENUE STANFORD, VALENCIA, CA 91355, USA. COPYRIGHT 2002



MOLD PART	CATALOG No.	DESCRIPTION
MALE	20014	108-CC MALIBU
	20008MA	ACCUCAST BOWL TEMP. 108-CC
FEMALE	400147	F-108-CC MALIBU
	4001471	F-108-CC MALIBU NO OVERFLOW
	400367	F-CC SUPPORT
	40022MA	ACC. ULFF-CC
PERMANENT HATS	00223	PH-CC
	002232	PH-CC NO OVERFLOW
REUSABLE HATS	01367	RH-CC
	013671	RH-CC 109 OVAL
NAME	108 CC MALIBU	
CAST WEIGHT	SCALE 1" = 1' 0"	DATE 8-30-02
		PAGE No. BF-29