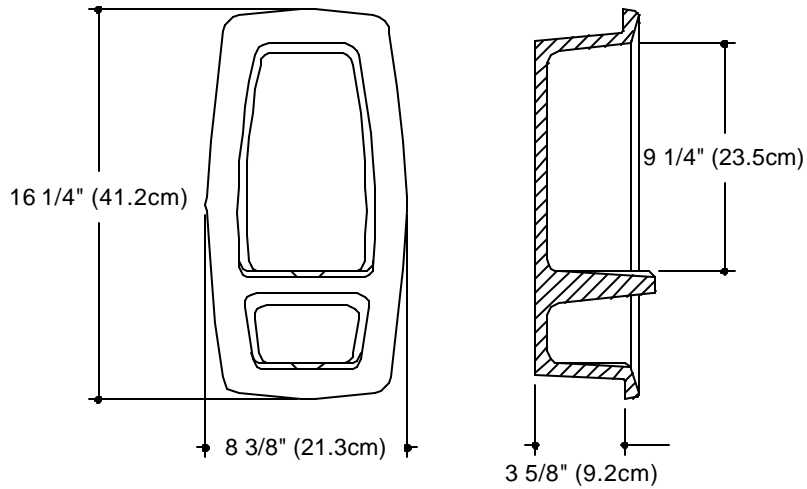
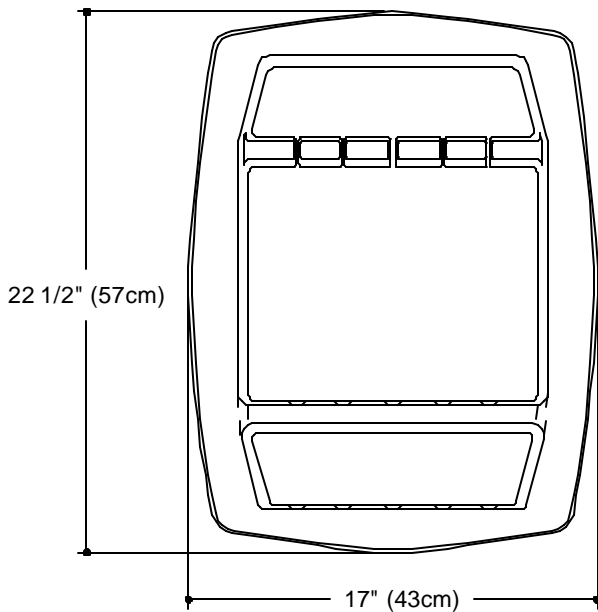


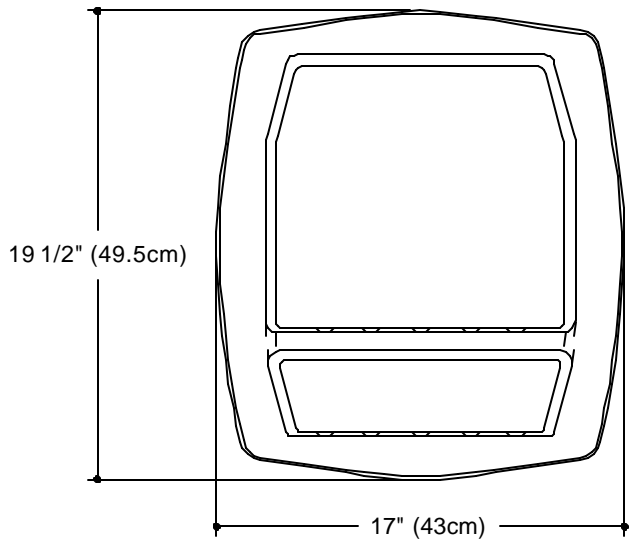
GRUBER SYSTEMS RESERVES THE RIGHT TO CHANGE THIS INFORMATION AT ANY TIME WITHOUT PRIOR NOTICE. ISSUED BY GRUBER SYSTEMS INC., 25636 AVENUE STANFORD, VALENCIA, CA 91355, USA. COPYRIGHT 2002



22859 DROP-IN



22846 DROP-IN



22848 DROP-IN

| MOLD PART   | CATALOG No.                                 | DESCRIPTION                                  |
|-------------|---|--|
| MALE        | <b>22859</b>                                | <b>180-59 DIAMONDSINGLE SOAP SHAMPOO</b>     |
| FEMALE      | <b>428598</b>                               | <b>FFL-DIAMOND SINGLE SOAP SHAMPOO</b>       |
| MALE        | <b>22846</b>                                | <b>DIAMOND SOAP/SHAMPOO HOLDER</b>           |
| FEMALE      | <b>428468</b>                               | <b>FFL-DIAMOND SOAP/SHAMPOO HOLDER</b>       |
| MALE        | <b>22848</b>                                | <b>SMALL DIAMOND SOAP SHAMPOO HOLDER</b>     |
| FEMALE      | <b>428488</b>                               | <b>FFL-SMALL DIAMOND SOAP SHAMPOO HOLDER</b> |
| NAME        | <b>DIAMOND DROP-IN SOAP SHAMPOO HOLDERS</b> |  |
| CAST WEIGHT |   | SCALE 1 1/2"=1' 0" DATE 8-31-02 PAGE No.     |