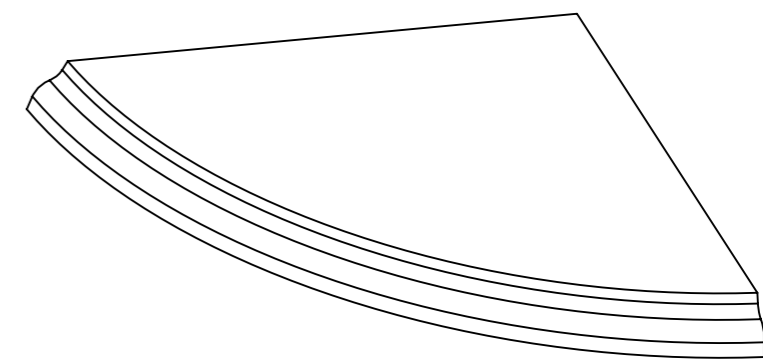
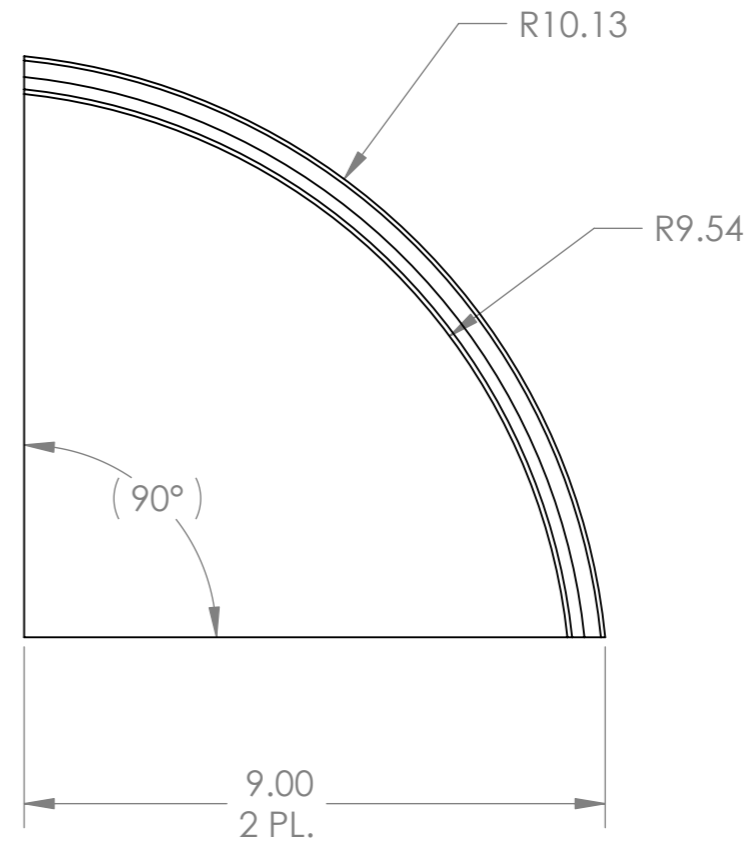
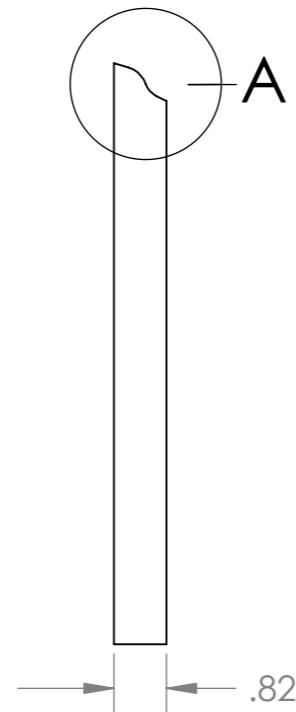


DETAIL A  
SCALE 1 : 1



UNLESS OTHERWISE SPECIFIED: DIMENSIONS ARE IN MILLIMETERS SURFACE FINISH: TOLERANCES: LINEAR: ANGULAR:				FINISH:		DEBUR AND BREAK SHARP EDGES		DO NOT SCALE DRAWING		REVISION	
								<b>GruberTech</b>			
								TITLE: <b>9" CORNER SHELF</b>			
DRAWN				SIGNATURE		DATE		DWG NO.		A3	
CHK'D								163715			
APPV'D								SCALE:1:3		SHEET 1 OF 1	
MFG								WEIGHT:			
Q.A											